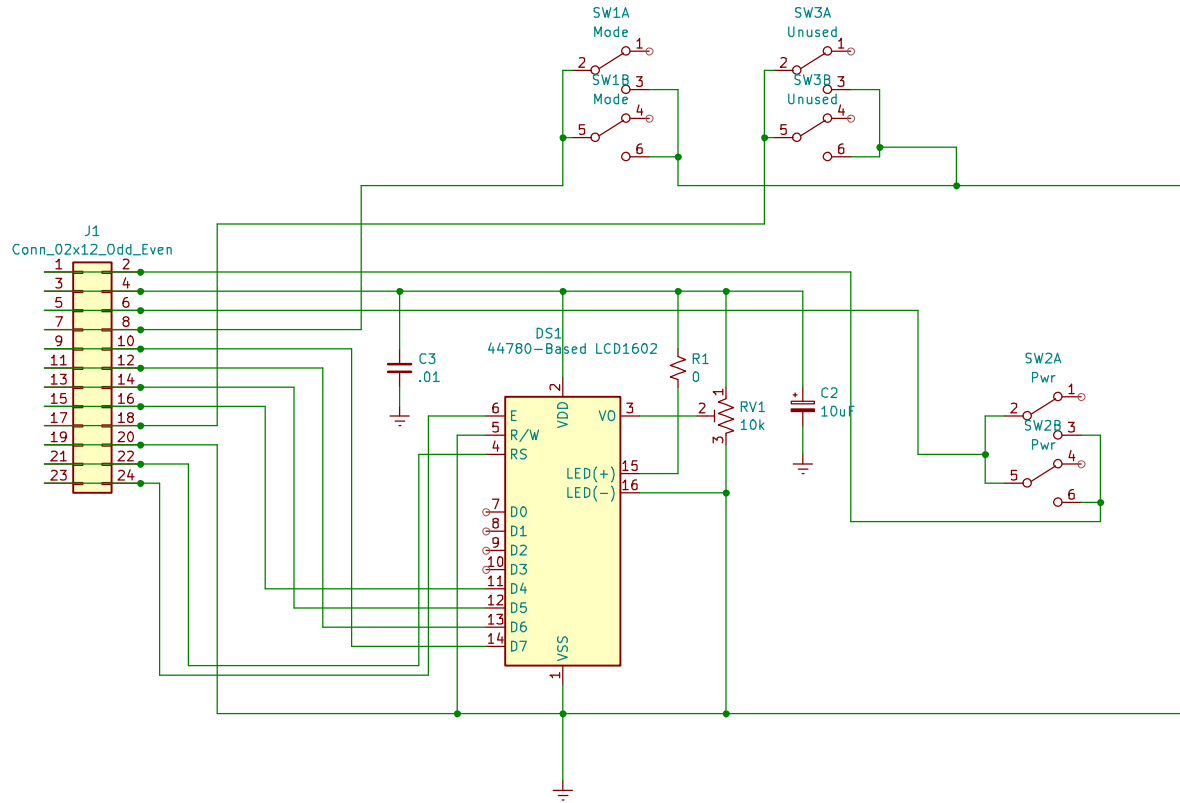


W2EB Designs	
Sheet: /	
File: SWR-PWR Main Board - Final.kicad_sch	
Title: SWR/PWR Meter - Main Board	
Size: B	Date: 13 Oct 2024
KiCad E.D.A. 8.0.5	Rev: Final
	Id: 1/1



W2EB Designs

Sheet: /

File: Display Board for Faceplate.kicad_sch

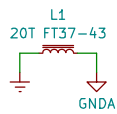
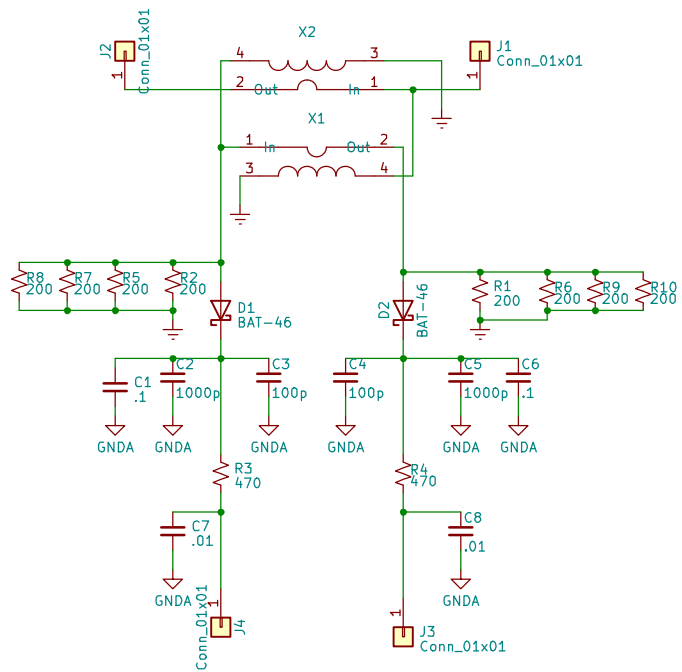
Title: SWR/Pwr Meter Display Board

Size: USLetter Date: 15 Oct 2024

KiCad E.D.A. 8.0.5

Rev: B

Id: 1/1



W2EB Designs

Sheet: /
 File: Pickup Head - Experimental - 20241208.kicad_sch

Title: SWR/PWR Meter Pickup Head

Size: USLetter Date: 8 Dec 2024
 KiCad E.D.A. 8.0.5

Rev: C
 Id: 1/1